



APPLICATION FOR FENCE PERMIT

I (We) request approval of Plans, Specifications and Location of the Construction on the Lot of the following checked items:

Single Family Residence _____ Multi-Family Residence _____

Fence: _____ Type of Fence _____

Dimensions: _____

Other: _____

(A copy of the Plans or a scale drawing of the proposed construction showing all dimensions including square footage, utility easements, setback locations and location of septic system and drain field must be attached to this application.) If any changes are made to these plans, you must apply for a new permit. Owner understands if utility company needs to remove the fence for utility access, this will be at owners' expense to reinstall the fence.

Location: Lot No. _____ Block No. _____ Village No. _____

Street Address: _____

Contractor:

Name: _____

Address: _____

Telephone: _____

Owner:

Name: _____

Address: _____

Telephone: _____

Date: _____

SIGNED: _____

REQUIREMENT:
INFORM OFFICE OF CONSTRUCTION START DATE
Signed: _____



The following information has been compiled by the Architectural Committee of the Spring Lake Property Association to clearly define the requirements to obtain a fence building permit. Most of the requirements are the same as set forth by the Highlands County Zoning Department.

DIFFERENT TYPES OF FENCE AND REQUIREMENTS

LANDSCAPE FENCE

The maximum height for this type of fence is one foot and it must be attached or adjacent to a building, patio, sidewalks, or flower gardens and must be a minimum of 7 ½ feet from the property line.

PRIVACY FENCE

The maximum allowed height for a privacy fence is 6 feet and must be located a minimum of 3 ½ feet inside the property line.

CHAIN LINK FENCE

A chain link fence cannot exceed 5 feet in height and cannot go past the front corner of the house.

BOUNDARY FENCE

A boundary fence will be as described in the Highlands County Ordinance; fences, walls and hedges section. Boundary fence may be made of chain link, wood, vinyl, or hedge materials. Boundary fences cannot exceed 5 feet in height and cannot go past the front of the house.

DECORATIVE FENCE

Decorative fencing will be described in the Highlands County Ordinances; fences, walls and hedges section. Decorative fencing cannot exceed 4 feet in height, must be 7 ½ feet inside the property line, and cannot exceed the front corner of the house and will not obstruct drivers at any street or intersection.

INSPECTION PROCESS

After the homeowner returns the completed application two or more Architectural committee members will go to that property and visibly inspect the area of the property that is affected by the permit request. The area must be identified with markers.

The Committee members may consult with or advise the homeowner to assure the proper completion of the application.

After the installation of your fence, please notify the Property Owners Association at the office or by phone (863-655-2230) that the installation process is complete, and has been inspected by Highlands County.

After completion of the fence, notify the Home Owners Association that the fence is ready for its final inspection.

EITHER BY OWNER OR CONTRACTOR

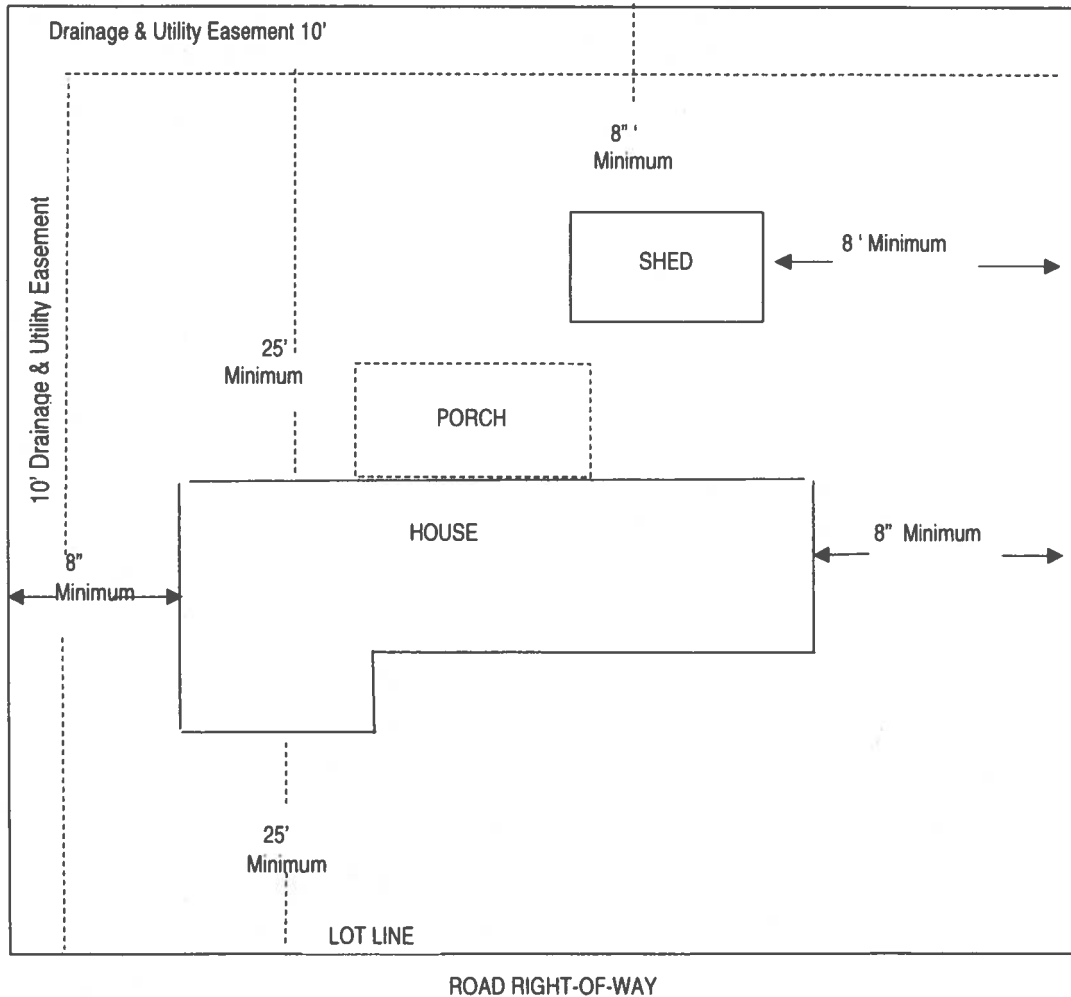


PLOT PLAN TO BE DRAWN BEFORE SECURANCE OF PERMITS

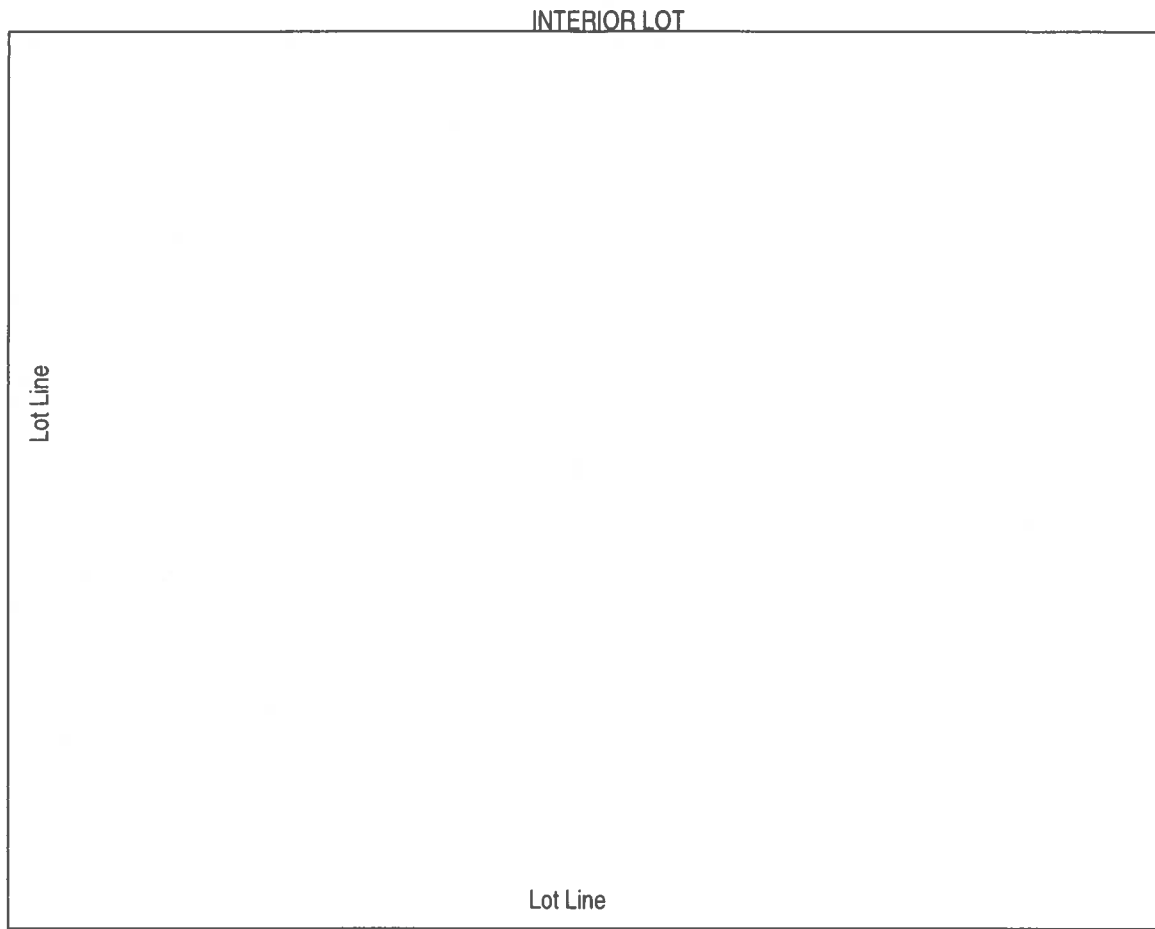
EITHER BY OWNER OR CONTRACTOR

The plot plan must show setbacks of all present and proposed building(s) on the lot for which a permit is being requested. A sample plot plan is given below.

SAMPLE PLOT PLAN



The plot plan must show setbacks of all present and proposed building(s) on the lot for which a permit is being requested.



ROAD RIGHT-OF-WAY



Under penalties of perjury, I declare that the above information is correct and complete and that all easements are shown.

SIGNATURE: _____